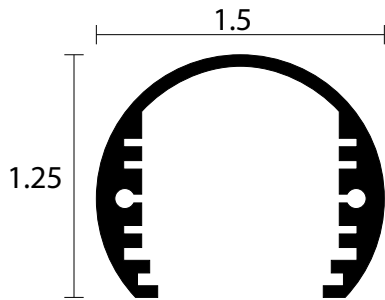


## LED SIGN AND WALL WASH LIGHTING



**Actual Size**  
 Fixture Rotates 360 Degrees  
 Set Screw Locks in Place  
 1.5" Diameter Extruded Aluminum



### CSL

Centra Standard, 6 Watts per ft.  
 15V DC

Model	Length	Load (Watts)	Source Lumens
CSL-1	12"	6	320
CSL-2	24"	12	640
CSL-3	36"	18	960
CSL-4	48"	24	1280
CSL-5	60"	30	1600
CSL-6	72"	36	1920
CSL-7	84"	42	2240
CSL-8	96"	48	2560

Standard wire length is 4 feet.

### CSXL

Centra XL, 9 Watts per ft.  
 24V DC

Model	Length	Load (Watts)	Source Lumens
CSXL-1	12"	9	660
CSXL-2	24"	18	1320
CSXL-3	36"	27	1980
CSXL-4	48"	36	2640
CSXL-5	60"	45	3300
CSXL-6	72"	54	3960
CSXL-7	84"	63	4620
CSXL-8	96"	72	5280

Standard wire length is 4 feet.

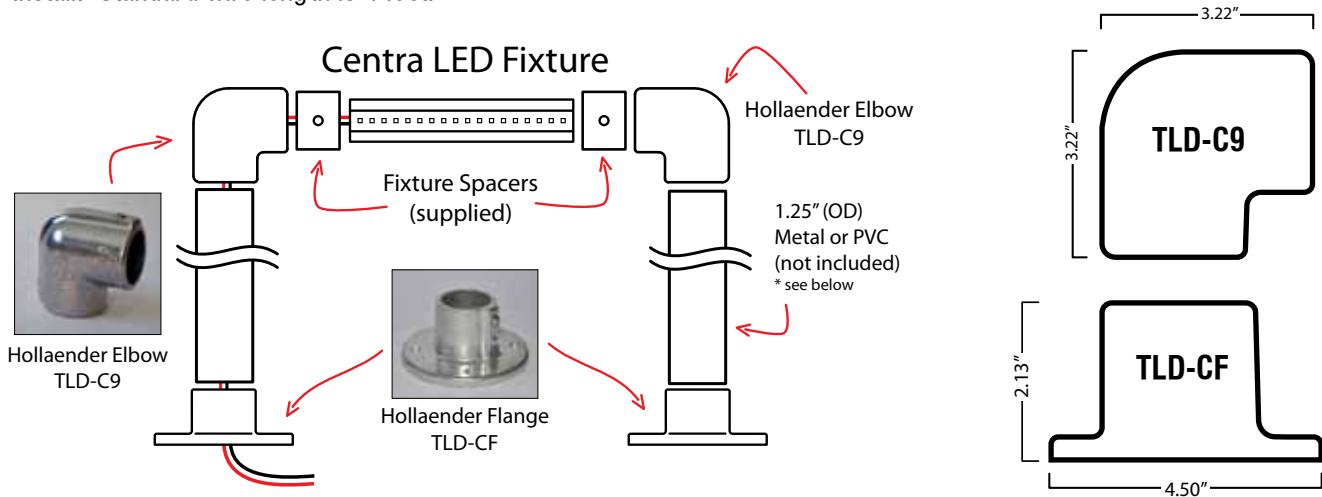
Model	Length/ft	Light Color	Lens Cover	Type	Mounting Type	Optics (CSXL Models Only)
<b>CSL</b> Centra Standard 15V DC	1 2 3 4 5	<b>30</b> 3000K Warm White	<b>C</b> Clear	<b>INT</b> Interior Dry location	<b>HM</b> Hollaender Mount Wire Exit at End	<b>NO</b> No optic
<b>CSXL</b> Centra XL 24V DC	6 7 8	<b>35</b> 3500K Neutral White	<b>DIFW</b> White Diffuser	<b>EXT</b> Exterior Damp location	<b>FM</b> Flush Mount Wire Exit at Rear  <b>SM</b> Suspended Mount Wire Exit at Rear	<b>RS</b> 16 Degree Spot  <b>M</b> 26 Degree Medium  <b>W</b> 42 Degree Wide  <b>O</b> 20 x 48 Degree Wall Wash

**Fixture Color:**  
**Standard** - Silver Metallic Powder Coat  
 Additional Colors available by special order, premium charge.

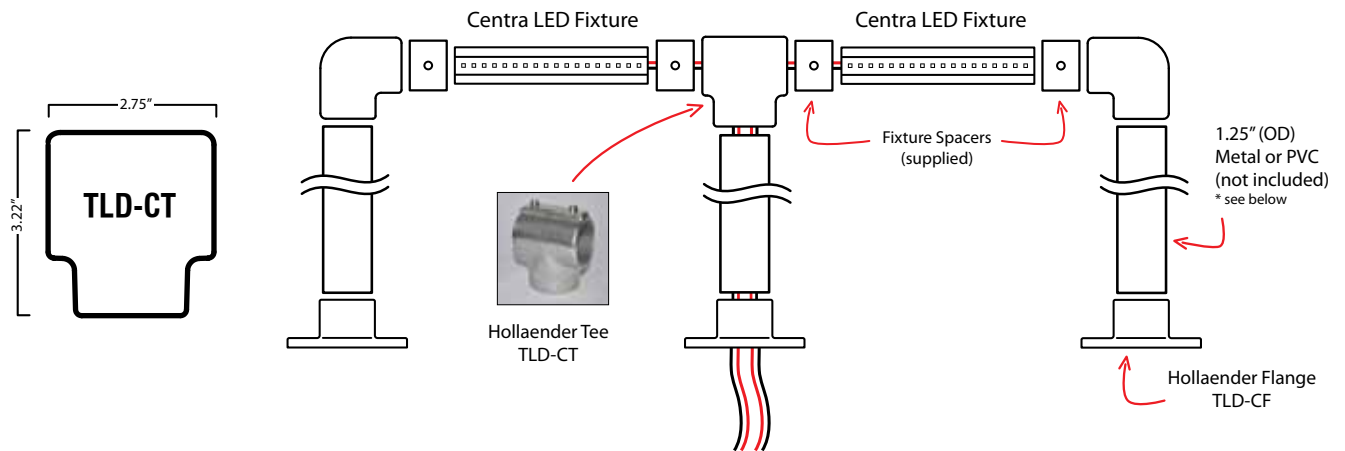
# MOUNTING OPTIONS FOR CENTRA FIXTURES

## Hollaender Mount (HM)

Typical Assembly for a wall or free standing sign mount. Use standard 1.25" (OD) tubing of metal or PVC (not included) and cut to desired distance from mounting surface. Wires exit at the end of fixture and fish through pipe for a clean looking install. Standard wire length is 4 feet.



## Multiple Fixture Assembly



### \* Tubing Recommendations (1.25" OD)

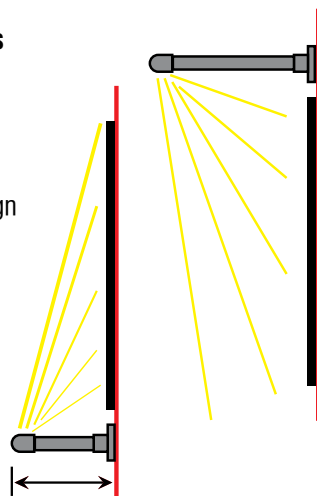
- Indoor - PVC
- Outdoor - Aluminum, Steel, Brass

(Customer supplied due to application variations)

### Suggested Mounting Positions

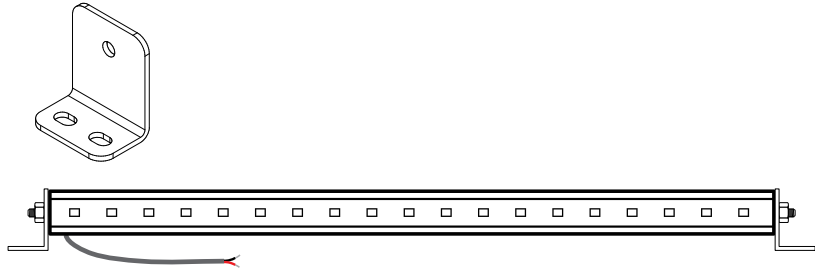
Can Be Located Above or Below Sign  
120 Degree Beam Spread

Locate Fixture 12" - 24"  
From Sign (18" is Typical)



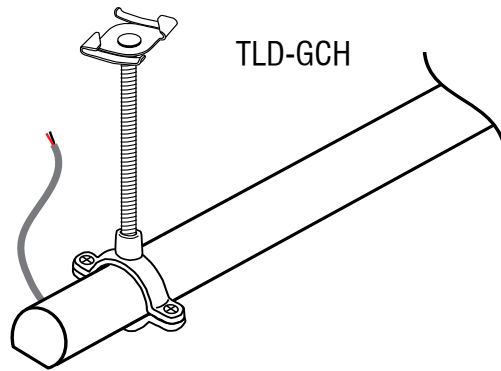
## Flush Mount (FM)

- Mounting brackets and nuts provided
- Fixture rotates for easy adjustment
- Wire exits rear of fixture.

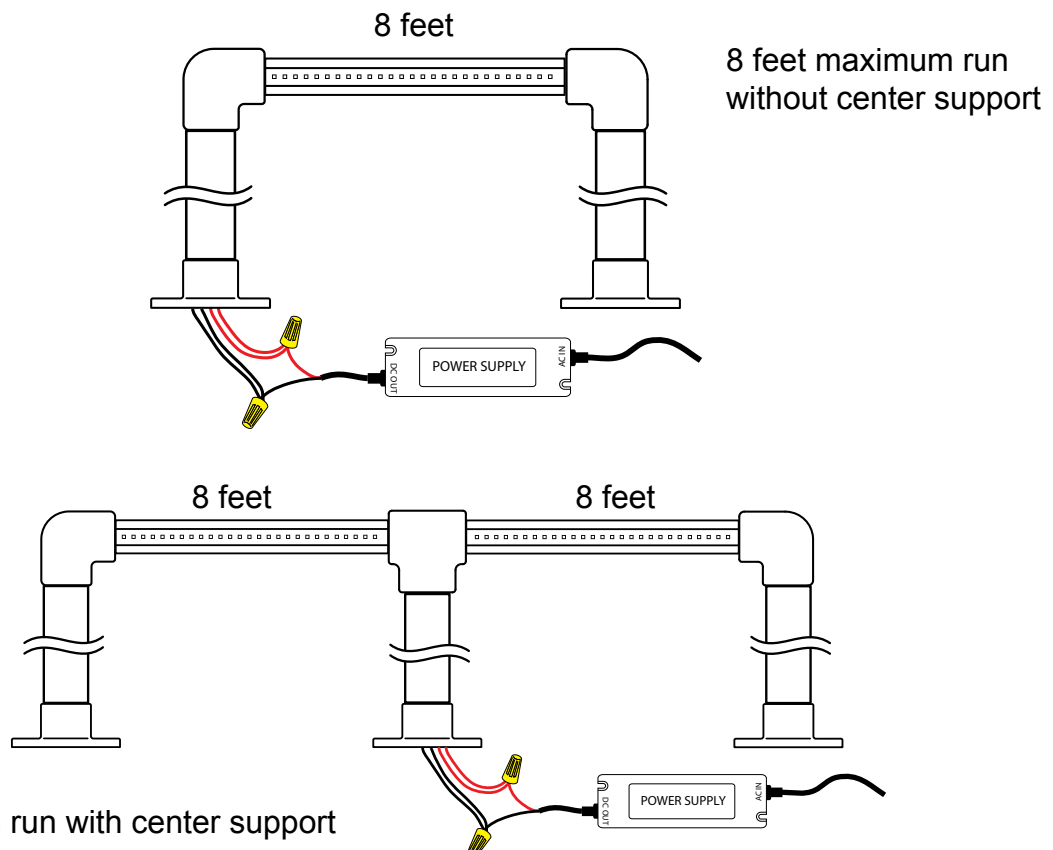


## Suspended Mount (SM)

- Ceiling Hanging Option
- Threaded rod and pipe clamp sold separately
- Wire exits rear of fixture



## Fixture Run Configuration



# CENTRA AND CENTRA-XL FIXTURE LIGHT DISTRIBUTION

Charts show the distribution of light (in foot candles), outlining the vertical and horizontal spread of one (1) four foot fixture positioned horizontally at varying distance (4'-16') from lit surface.

To read:

With light held level at 4 feet from the lit surface:

- The exposure at the center point is 43 foot candles
- **In a horizontal line:** At 24 inches to each side of the center point, the exposure is 31 foot candles
- **In the vertical line:** At 24 inches above or below the center point, the exposure is 29 foot candles

